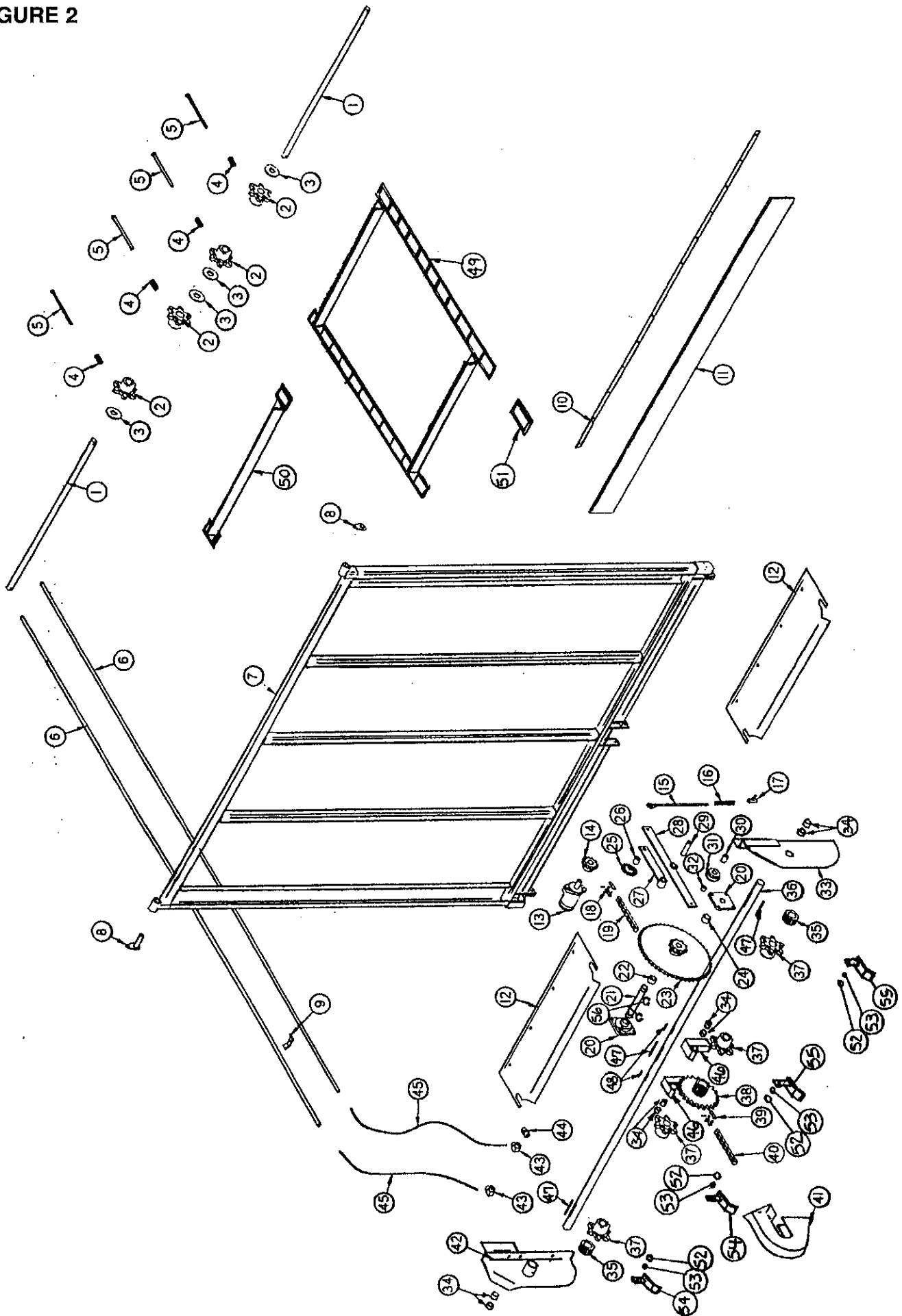


FIGURE 1
"INDUSTRIAL WIDE BODY" REAR UNLOAD POWER BOX
LIGHTING ASSEMBLY (Wagon and Chassis Mount)

ITEM	PART NO.	DESCRIPTION
1.	S308	Rubber Light Mount
2.	S309	Amber Light
3.	S310	Red Light
4.	PB232	Light Harness (6-WIRE)
5.	S443	18' Longitudinal Cord (4-WIRE)
	S442	20' Longitudinal Cord (4-WIRE)
*	S439	22' Longitudinal Cord (4-WIRE)
*	S444	24' Longitudinal Cord (4-WIRE)
6.	PB111	Taillight Brackets
7.	S317	Optional Tractor Cord
8.	S441	Light Module
*	PB237	18' Complete Light Assembly Less Optional Tractor Cord
*	PB238	20' Complete Light Assembly Less Optional Tractor Cord
*	PB247	22' Complete Light Assembly Less Optional Tractor Cord
*	PB248	24' Complete Light Assembly Less Optional Tractor Cord

NOTE: * (Means Not Shown)

FIGURE 2

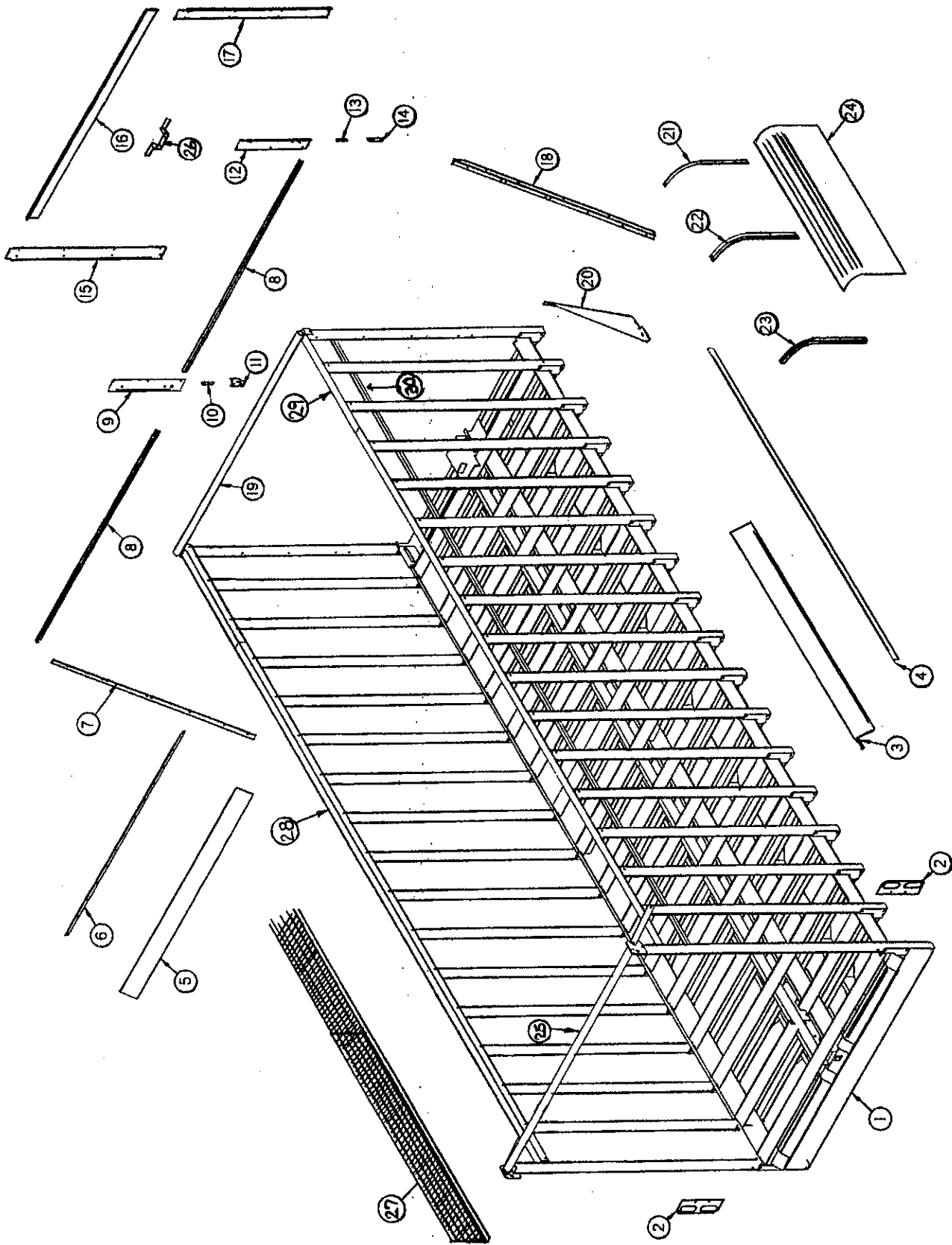


**FIGURE 2
DOOR-APRON-DRIVE & IDLER ASSEMBLY**

ITEM	PART NO. POLY BONDED SIDES		PART NO. ALUMINIZED SIDES			DESCRIPTION
	22'	24'	18'	20'	22'	
1.	S63	"	"	"	"	Idler Shaft
2.	S60	"	"	"	"	Idler sprocket
3.	S61	"	"	"	"	Idler shaft spacer
4.	WM210	"	"	"	"	Spring-Red
5.	S7	"	"	"	"	Idler Bolt 1/2 x 9-1/2"
6.	PB173	IFB1	IFB62	PB220	PB173	Hydraulic Pipe
7.	IFB2	"	"	"	"	Back Door Frame Work
8.	IFB3	"	"	"	"	Door Hinge Pin
9.	23N67	"	"	"	"	Pipe Clamp
10.	PB155	"	"	"	"	Seal Strap
11.	PB154	"	"	"	"	Rubber Seal
12.	PB74	"	"	"	"	Drive Shaft Panel
13.	16SV150	"	"	"	"	Hydraulic Motor
14.	IFB4	"	IFB4	"	IFB4	Motor Sprocket 10Tooth #80
15.	IFB5	"	"	"	"	Tightener Rod
16.	23N211	"	"	"	"	Spring
17.	23N206	"	"	"	"	Tightener Rod Holder
18.	F157	"	D39	"	F157	Connector Link
19.	16SV330	"	16SV330	"	16SV330	Chain #80 68 Pitch
20.	45N67	"	"	"	"	Bearing W/Holder
21.	IFB136	"	"	"	"	Short Idler Shaft
22.	R17	"	"	"	"	Short Idler Spacer
23.	IFB148	"	"	"	"	Short Idler Sprocket 52/8 Tooth #80/100
24.	R57	"	"	"	"	Spacer
25.	12V77	"	12V77	"	12V77	Sprocket
26.	IFB9	"	"	"	"	Primary Drive Spacer
27.	IFB10	"	"	"	"	Short Tightener
28.	IFB11	"	"	"	"	Long Tightener
29.	IFB12	"	"	"	"	Tightener Axle Pivot
30.	IFB13	"	"	"	"	Poly Chain Tightener Axle
31.	IFB14	"	"	"	"	Chain Tightener Roller
32.	IFB23	"	"	"	"	Spacer
33.	IFB15	"	"	"	"	RH Drive Shaft Mount
34.	S50	"	"	"	"	Bushing
35.	PB175	"	"	"	"	Latch Sprocket
36.	PB167	"	"	"	"	Drive Shaft
37.	S37	"	"	"	"	Drive Shaft Sprockets
38.	IFB16	"	IFB16	"	IFB16	Center Drive Shaft Sprocket 22 Tooth #100
39.	IFB159	"	"	"	"	Connector Link #100 (Heavy)
40.	IFB129	"	IFB129	"	IFB129	Chain #100 x 47 Pitch (Heavy)
41.	IFB19	"	"	"	"	Center Drive Shield
42.	IFB20	"	"	"	"	LH Drive Shaft Mount
43.	IFB21	"	"	"	"	Elbow-90 Degrees
44.	PB185	"	"	"	"	Check Valve
45.	16SV144	"	"	"	"	Hose 1/2" x 41"
46.	PB183	"	"	"	"	Center Bearing Bracket
47.	PB133	"	"	"	"	Key (3) 3/8" SQ. x 4-3/8"
48.	PB87	"	"	"	"	Key (2) 3/8" SQ. x 2"
49.	—	—	S59	PB179	—	Complete T-Rod Apron
* 50.	PB165	IFB22	PB180	PB178	PB165	Complete 667XH Apron
* 51.	PB177	"	—	PB177	"	T-Rod Slat W/Att. Link
* 52.	—	—	S55	"	"	667XH Pintle Slat W/Att. Link
* 53.	PB181	"	"	"	"	T-Rod Link
* 54.	PB182	"	"	"	"	66XH Pintle Connector Link
55.	A34	"	"	"	"	667XH Pintle Att. Link LH or RH
56.	PB61	"	"	"	"	Latch Washer
57.	PB58	"	"	"	"	Latch Pivot
58.	PB57	"	"	"	"	Latch Bracket LH
* 59.	—	—	PB161	"	"	Latch Bracket RH
* 60.	F73	"	"	"	"	Back Door Aluminized Panels
* 61.	IFB61	"	—	—	—	Snap Ring
* 62.	—	—	—	—	—	Back Door Poly Bonded Panels (2)

NOTE: * (Means Not Shown)
 • (Indicates Use on Chassis or Running Gear Models Only)
 " (Same as Part # to Left)
 — (Part is Not Used on This Model)

FIGURE 3

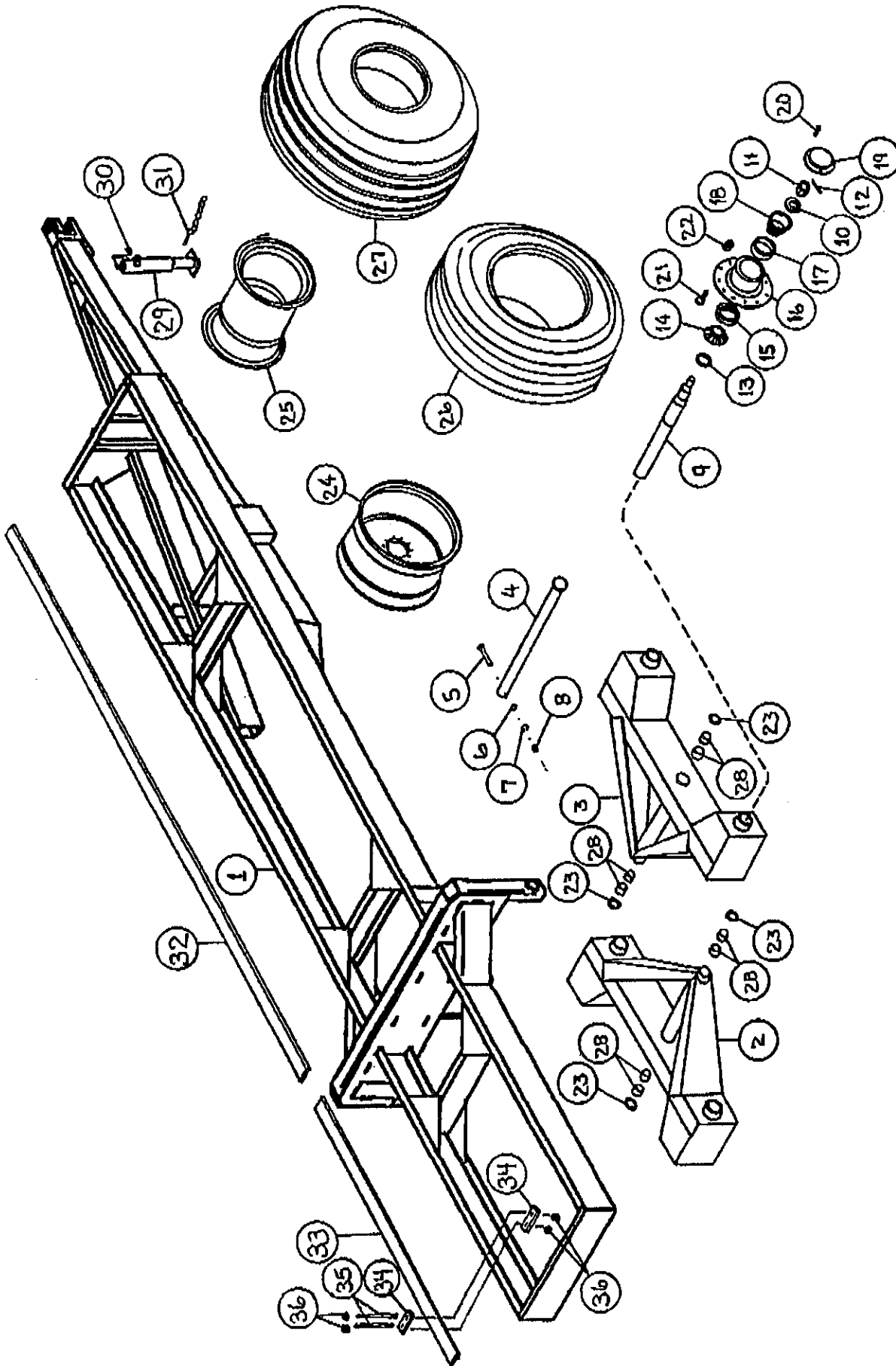


**FIGURE 3
BOX ASSEMBLY**

ITEM	PART NO. POLY BONDED SIDES		PART NO. ALUMINIZED SIDES			DESCRIPTION
	22'	24'	18'	20'	22'	
1.	IFB25	IFB26	IFB128	IFB24	IFB25	Main Frame
2.	PB111	"	"	"	"	Light Bracket
3.	PB146	"	"	"	"	Center Floor Ridge
*	IFB149	"	"	"	"	Back Center Floor Ridge
*	IFB150	"	"	"	"	Front Center Floor Ridge
4.	IFB27	"	"	"	"	Filler Corner
5.	PB154	"	"	"	"	Front Rubber
6.	PB155	"	"	"	"	Rubber Holdown
7.	IFB28	"	"	"	"	Angle Bracket LH
8.	IFB29	"	"	"	"	Panel Angle
9.	IFB30	"	IFB45	"	"	Front Door Bottom Left
10.	S199	"	"	"	"	Door Hinge LH
11.	S198	"	"	"	"	LH Stake Hinge
12.	IFB31	"	IFB46	"	"	Front Door Bottom Right
13.	S193	"	"	"	"	Door Hinge RH
14.	S194	"	"	"	"	RH Stake Hinge
15.	IFB43	"	IFB32	"	"	Top Front Panel LH
16.	IFB33	"	IFB88	"	"	Top Front Door Panel
17.	IFB44	"	IFB34	"	"	Top Front Panel RH
18.	IFB35	"	"	"	"	Angle Bracket RH
19.	IFB36	"	"	"	"	Cross Front Brace
20.	IFB37	"	"	"	"	Inside Deflector B
21.	IFB38	"	"	"	"	Left Hood Support-Option
22.	IFB39	"	"	"	"	Center Hood Support-Option
23.	IFB40	"	"	"	"	Right Hood Support-Option
24.	IFB41	"	"	"	"	Roof Hood-Option
25.	IFB42	"	"	"	"	Top Rear Brace
26.	*PB29	"	"	"	"	Hose Holder
27.	IFB47	IFB84	IFB85	IFB86	IFB47	Expanded Metal Screen LH
*	IFB111	IFB112	IFB113	IFB114	IFB111	Expanded Metal Screen RH
28.	IFB65	IFB67	IFB69	IFB63	IFB65	LH Top Rail
29.	IFB66	IFB68	IFB70	IFB64	IFB66	RH Top Rail
30.	IFB115	IFB116	IFB117	IFB118	IFB115	RH Top Angle
*	IFB119	IFB120	IFB121	IFB122	IFB119	LH Top Angle
*	IFB152	IFB153	—	—	—	FRP Side Panel (1/side)
*	IFB154	"	—	—	—	FRP Front Top Panel (1)
*	IFB155	"	—	—	—	FRP Front Tailgate Panel (1)
*	IFB156	"	"	"	"	FRP Inside Shelf Panel (1)
*	—	—	S150	S299PB	—	Aluminized Side Panels Top
*	—	—	IFB75	IFB76	—	Aluminized Side Panels Bottom
*	—	—	—	—	IFB157	Aluminized Side Panel Top
*	—	—	—	—	IFB158	Aluminized Side Panel Bottom
*	—	—	PB151	"	"	Aluminized Front Panels Top
*	—	—	PB150	"	"	Aluminized Front Panels Bottom
*	—	—	PB152	"	"	Aluminized Front Tailgate Panel
*	PB145	IFB83	IFB81	IFB82	PB145	Poly Bonded Floor Panels
*	CHM38	"	"	"	"	Plug Storage
*	S522	"	"	"	"	Manual Holder

NOTE: * (Means Not Shown)
 • (Indicates Use on Chassis or Running Gear Models Only)
 " (Same as Part # to Left)
 — (Part is Not Used on This Model)

FIGURE 4



**FIGURE 4
CHASSIS MOUNT FRAME**

ITEM	PART NO.		DESCRIPTION
	FBC	SFBC	
1.	FBC1	SFBC1	Main Frame
2.	50N151	"	LH Tandem Beam
3.	50N152	"	RH Tandem Beam
4.	50N153	"	Tandem Pin
5.	RG174	"	Bolt 5/8" x 5" GR.5
6.	RG8	"	5/8" Flat Washer
7.	T69	"	5/8" Lock Washer
8.	T68	"	5/8" Nut
9.	60N1	50N5	Spindle
10.	60N2	33SV95	Spindle Washer
11.	60N3	RG17	Spindle Nut
12.	60N4	33SV46	Cotter Pin
13.	60N5	33SV42	Seal
14.	60N7	33SV43	Inner Bearing
15.	60N6	33SV44	Inner Race
16.	60N8	33SV45	Hub
17.	60N10	RG169	Outer Race
18.	60N9	RG170	Outer Bearing
19.	60N11	RG171	Hub Cap
20.	60N12	—	Hub Cap Bolt
21.	60N13	33SV41	Stud
22.	60N14	RG72	Stud Nut
23.	RG59	"	Spacer
24.	60N15	—	Wheel (22.5 x 13.5, 10 Bolt)
*	—	16SV89	Wheel (22.5 x 13.5, 8 Bolt)
25.	60N16	—	Wheel (16.1 x 18, 10 Bolt)
*	—	50N6	Wheel (16.1 x 18, 8 Bolt)
26.	16SV88	"	Tire (425 x 22.5, Truck)
27.	50N7	"	Tire (21.51 x 16.1, Flotation)
28.	50N8	"	Tandem Pin Bushing
29.	FBC2	"	Jack 7000# Complete
30.	FBC7	"	Jack Handle
31.	FBC8	"	Jack Pin and Chain
32.	FBC3	SFBC2	Front Wood Chassis Spacer
33.	FBC4	SFBC3	Rear Wood Chassis Spacer
34.	FBC5	"	Tie Down Plate
35.	FBC6	"	Tie Down Bolts
36.	T23	"	3/4"-16 NF Nylon Lock Nuts

NOTE: * (Means Not Shown)
 " (Means Same as Preceding Number)
 — (Means Not Used on This Model)

FBC - 22 Ton Chassis
 SFBC - 16 Ton Chassis

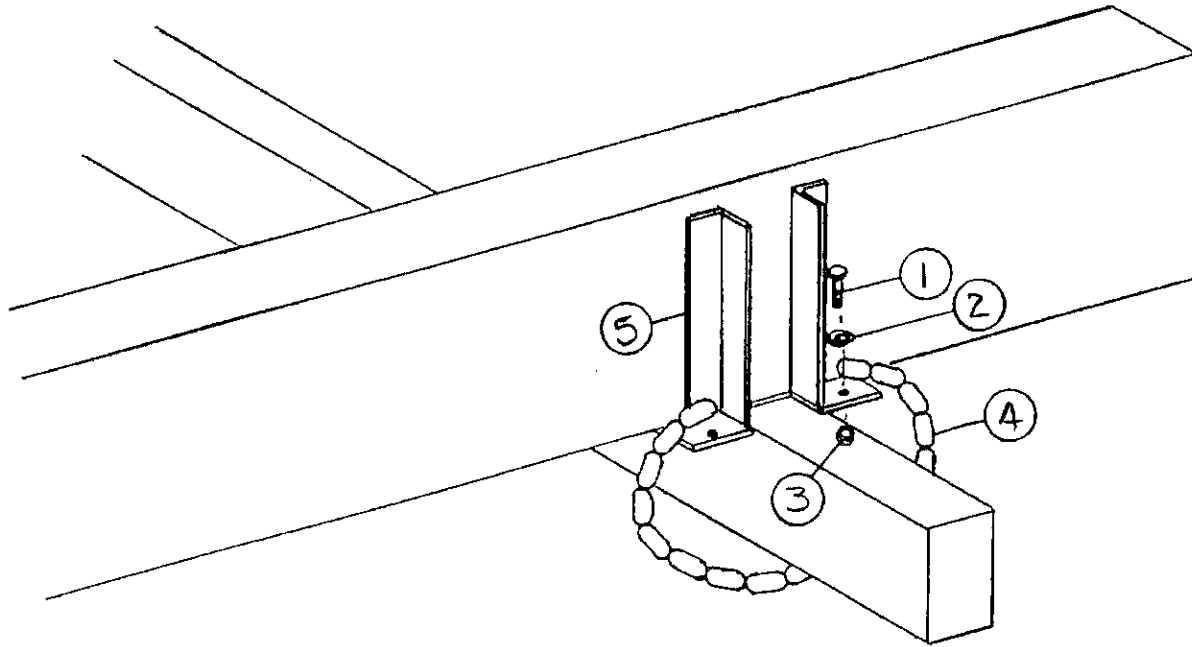


FIGURE 5
TIE DOWN KIT - RUNNING GEAR MOUNT

ITEM	PART NO.	DESCRIPTION
1.	12V45	1/2" x 1-1/2" GR.5 Bolt
2.	K68	1/2" Flat Washer
3.	R11	1/2" Top Lock Nut GR.5
4.	S322	1/4" Chain 30-1/4" Long
5.	S323	Tie Down Bracket
6.	T9B	Tie Down Kit - Complete

FIGURE 6

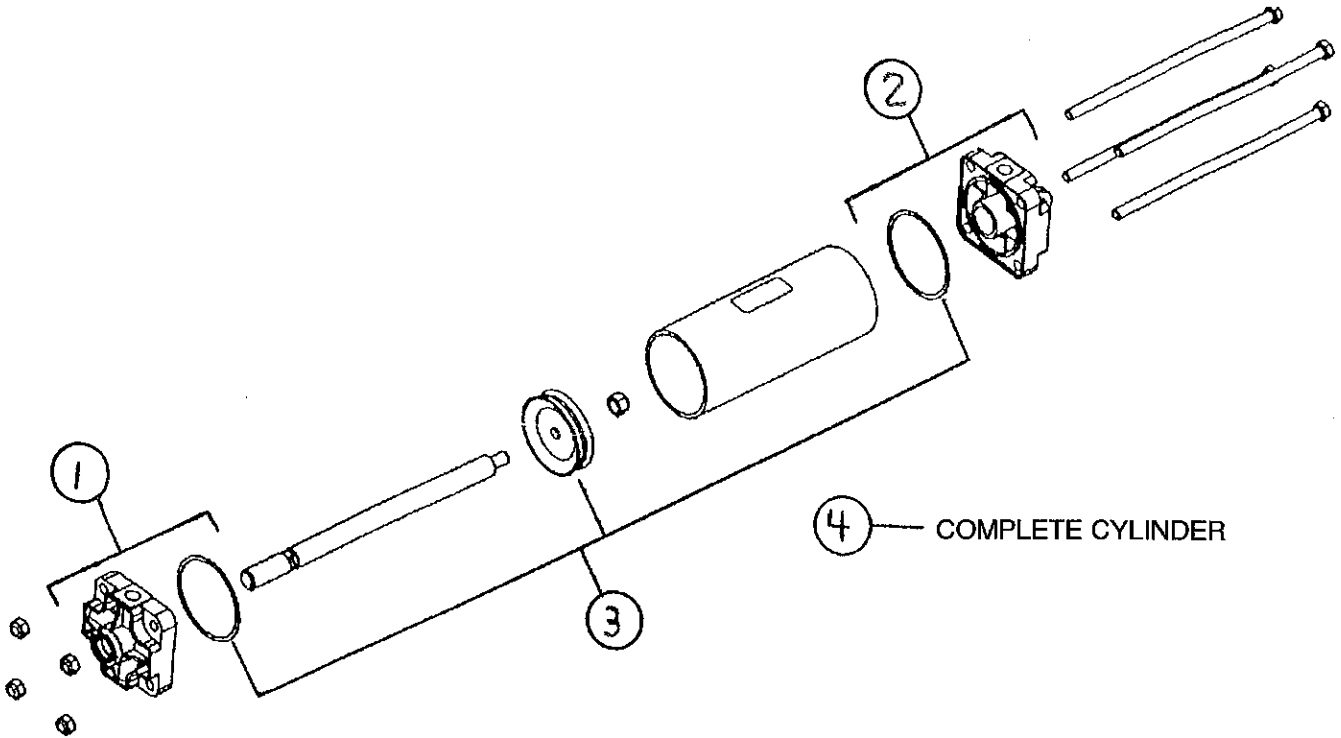


FIGURE 6
BARN DOOR 2-1/2" X 8" AIR CYLINDER

ITEM	PART NO.	DESCRIPTION
1.	GD46	Rod Cap
2.	GD47	Base Cap
3.	GD48	Seal Kit
4.	GD49	Complete Cylinder (2-1/2" x 8")

FIGURE 7

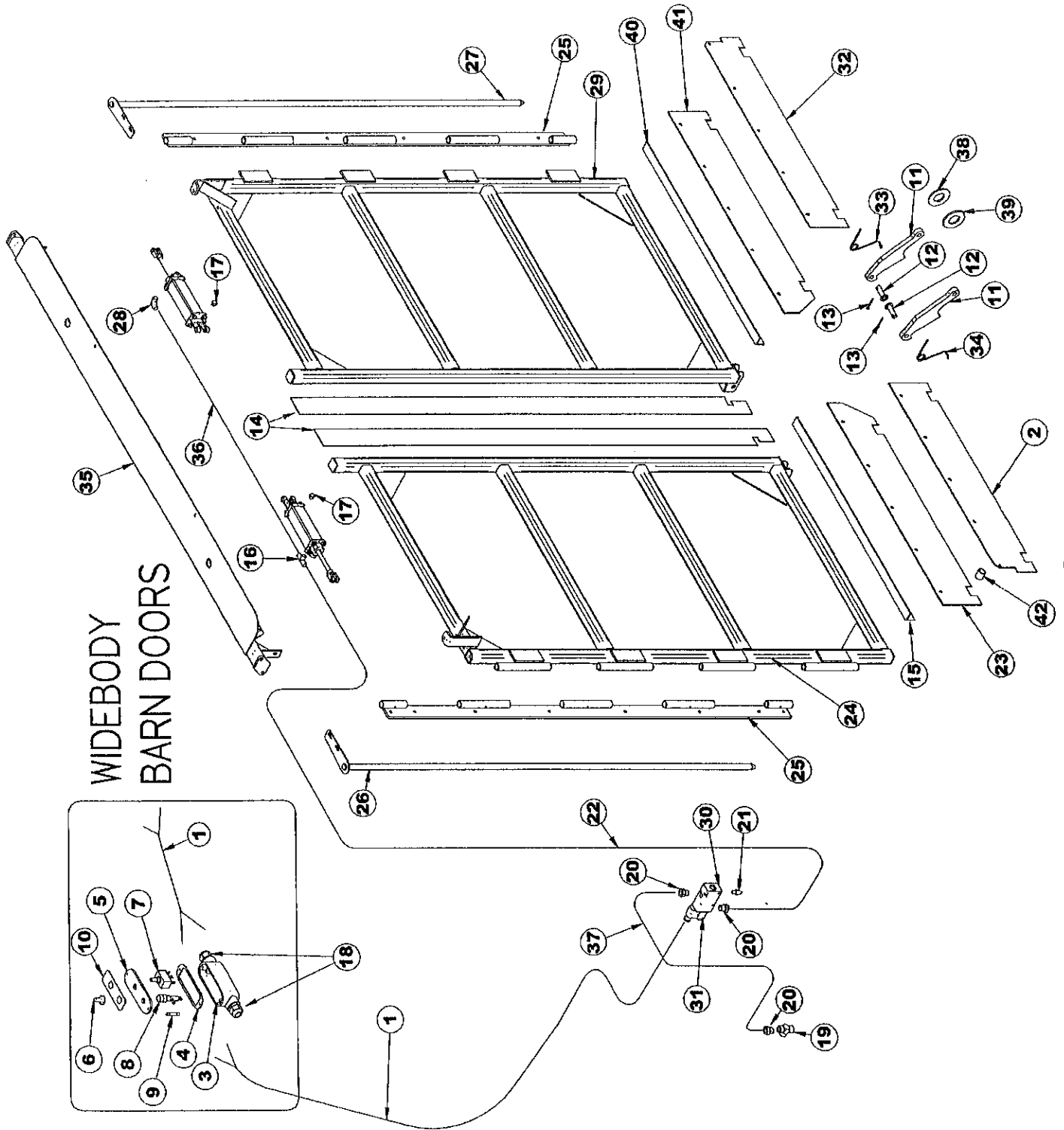


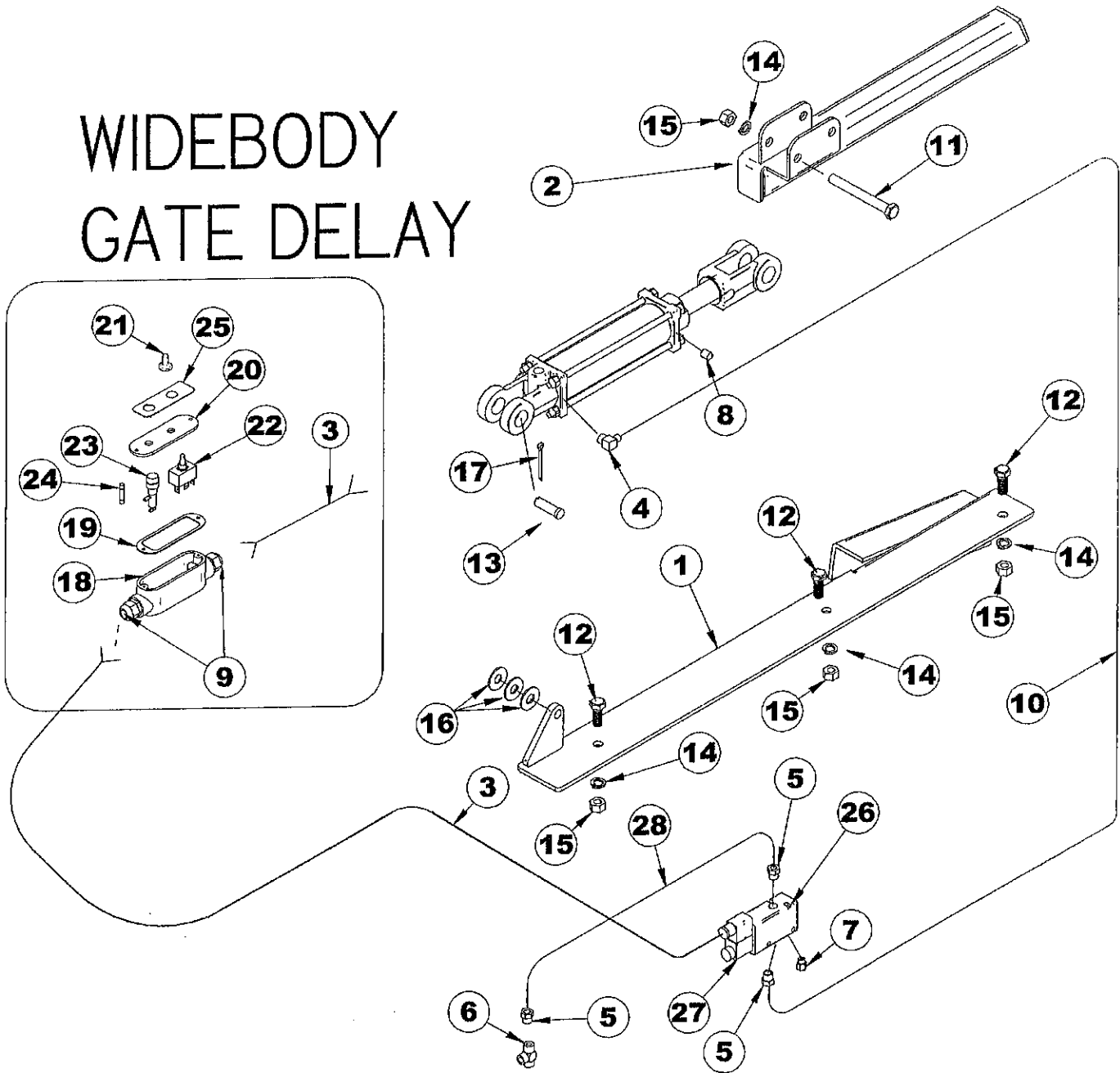
FIGURE 7
WIDE BODY BARN DOORS

ITEM	PART NO.	DESCRIPTION
1.	GD13	10' 2-Wire Cable
2.	GD19	Left Door Seal
3.	16SV316	Control Box
4.	16SV317	Control Box Gasket
5.	16SV318	Control Box Cover
6.	16SV235	Switch Boot
7.	WM109	2 Position Momentary Switch
8.	16SV231	Fuse Holder
9.	16SV232	5 Amp Fuse
10.	GD20	Decal
*	GD42	Complete Control Box
11.	GD21	Latch
12.	GD22	Latch Pin
13.	33SV46	7/32" x 2" Cotter Pin
14.	GD24	Mid Door Seal
15.	GD25	Left Seal Angle
16.	GD26	1/4" Air Tee
17.	GD8	1/4" Vent Plug
18.	GD23	Strain Relief (Connector)
19.	GD43	1/4" Female Tee
20.	GD6	1/4" Male Coupler
21.	GD7	1/4" Vent Plug (Cone Shaped)
22.	GD10	1/4" D.O.T. Air Tubing (50')
23.	GD9	Left Double Seal
24.	GD28	Left Door Frame
*	GD41	Door Ply-Wood
25.	GD29	Hinge
26.	GD30	Left Hinge Pin
27.	GD31	Right Hinge Pin
28.	GD5	1/4" Male Elbow
29.	GD32	Right Door Frame
30.	GD16	3-Way Air Valve (Complete)
31.	GD17	Coil and Electrical Connector
*	GD18	Air Valve Spool and Seal Kit
32.	GD33	Right Door Seal
33.	GD34	Right Latch Spring
34.	GD35	Left Latch Spring
35.	GD36	Top Door Hood
36.	GD37	1/4" D.O.T. Air Tubing (15')
37.	GD38	1/4" D.O.T. Air Tubing (10')
38.	GD39	Thick Latch Washer
39.	GD40	Thin Latch Washer
40.	GD44	Right Seal Angle
41.	GD3	Right Double Seal
42.	GD45	Seal Spacer

NOTE: * (Means Not Shown)

FIGURE 8

WIDEBODY GATE DELAY



**FIGURE 8
WIDE BODY GATE DELAY**

ITEM	PART NO.	DESCRIPTION
1.	GD1	Slide Channel
2.	GD2	Push Tube
3.	GD13	10' 2-Wire Cable
4.	GD5	1/4" Male Elbow
5.	GD6	1/4" Male Coupler
6.	GD43	1/4" Female Tee
7.	GD7	1/4" Vent Plug (Cone Shaped)
8.	GD8	1/4" Vent Plug
9.	GD23	Stain Relief (Connector)
10.	GD10	1/4" D.O.T. Air Tubing (50')
11.	T153	1/2" x 3" Grade 5 Bolt
12.	R10	1/2" x 1-1/4" Grade 5 Bolt
13.	GD11	1/2" x 1-1/4" Clevis Pin
14.	R35	1/2" Lock Washer
15.	R29	1/2" Nut
16.	K68	1/2" Flat Washer
17.	GD12	Cotter Pin
18.	16SV316	Control Box
19.	16SV317	Control Box Gasket
20.	16SV318	Control Box Cover
21.	16SV235	Switch Boot
22.	16SV233	2 Position On/Off Switch
23.	16SV231	Fuse Holder
24.	16SV232	5 Amp Fuse
25.	GD14	Decal
*	GD15	Complete Control Box
26.	GD16	3-Way Air Valve (Complete)
27.	GD17	Coil and Electrical Connector
*	GD18	Air Valve Spool and Seal Kit
28.	GD38	1/4" D.O.T. Air Tubing (10')

NOTE: * (Means Not Shown)

FIGURE 9

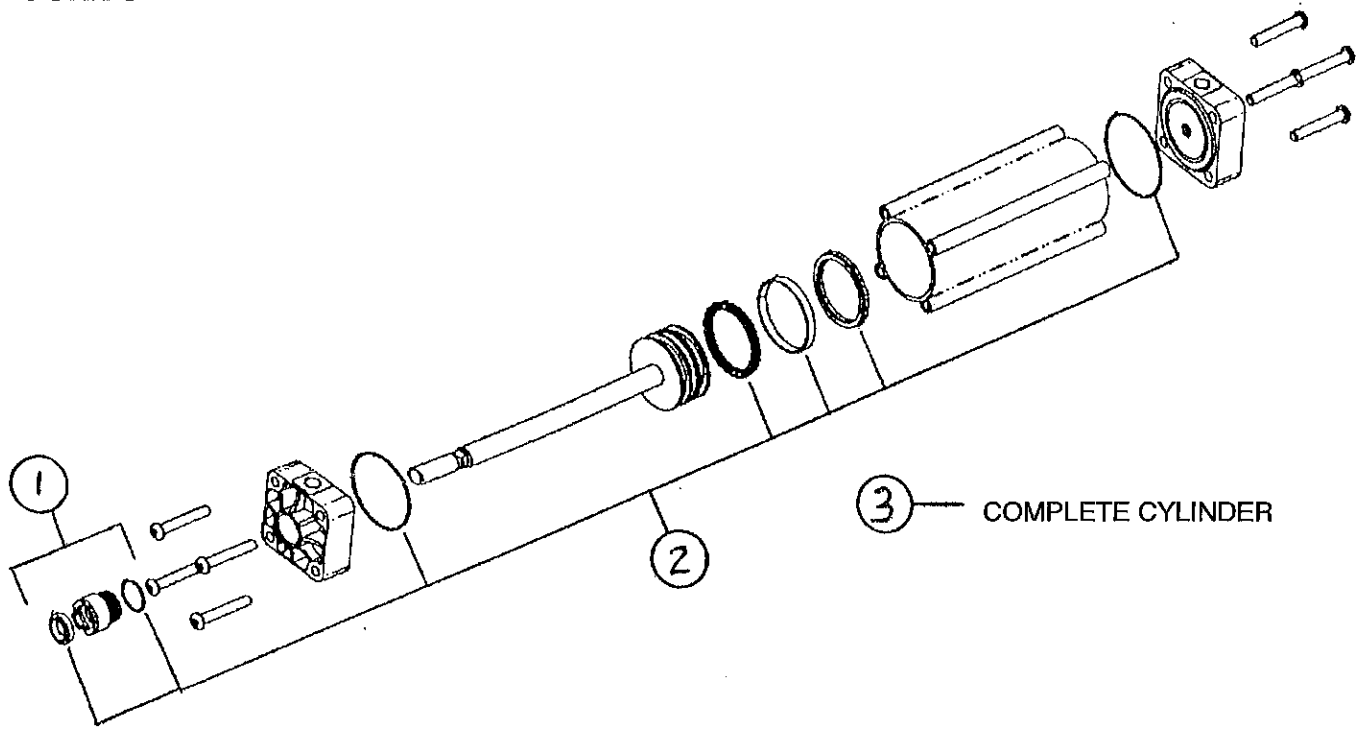
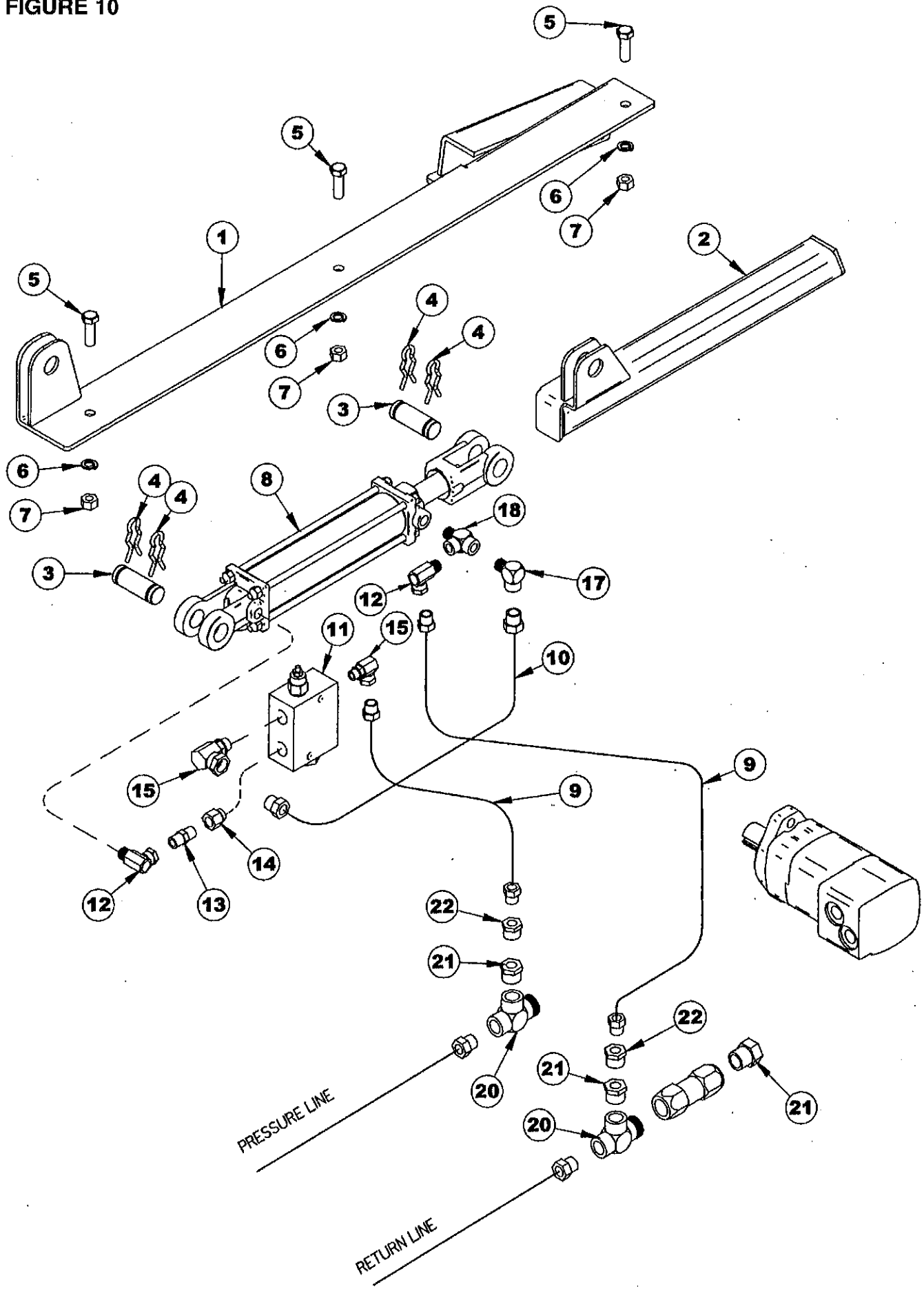


FIGURE 9
GATE DELAY 3-1/4" X 6" AIR CYLINDER

ITEM	PART NO.	DESCRIPTION
1.	GD50	Rod Kit
2.	GD51	Seal Kit
3.	GD52	Complete Cylinder (3-1/4" x 6")

FIGURE 10



**FIGURE 10
HYDRAULIC GATE DELAY**

ITEM	PART NO.	DESCRIPTION
1.	GD54	Hydraulic Slide Channel
2.	GD55	Hydraulic Push Tube
3.	T143	Cylinder Pin
4.	T144	Hair Pin
5.	R10	1/2" x 1-1/2" GR. 5 Bolt
6.	R35	1/2" Lock Washer
7.	R29	1/2" Nut
8.	BFR69A	2" x 8" Cylinder
9.	GD60	Hose 3/8" x 162" 3/8" MP & 3/8" MP
10.	DWM154	Hose 1/4" x 24" 3/8" MP & 3/8" MP
11.	GD56	Pressure Reducing Valve (PPDBLDN-E2I)
12.	DWM110	3/8" 90° Swivel Adapter
13.	16SV351	3/8" Close Nipple
14.	GD57	9/16" Male O-Ring to 3/8" Pipe Adapter (6405-6-6)
15.	JB76	9/16" Male O-Ring to 3/8" Pipe 90° Swivel
17.	23N234	3/8" Street Elbow
18.	23N116	3/8" Street Tee
20.	33SV71	3/4" Service Tee
21.	LW99	1/2" to 3/4" Bushing
22.	JB82	1/2" to 3/8" Bushing

